

This catalog covers:

FS481V- □ S10

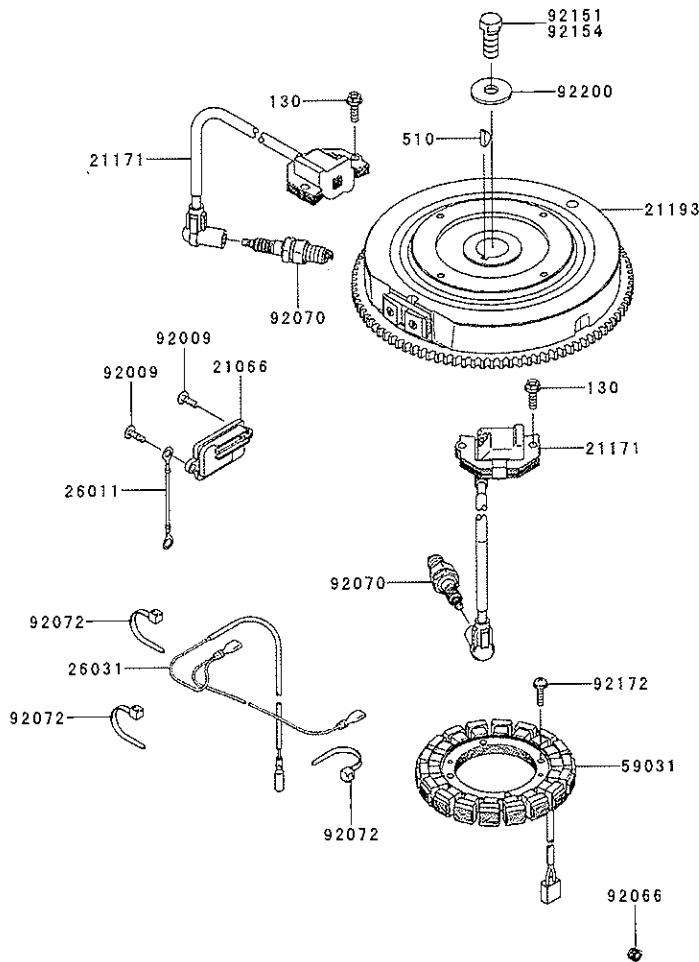
GRID NO.

B-08

This grid covers:

ELECTRIC-EQUIPMENT

E0160-B423A



Ref. No.	Part No.	Description	Quantity
21066	21066-7017	REGULATOR-VOLTAGE	1
21171	21171-7047	COIL-ASSY-IGNITION	2
21193	21193-7038	FLYWHEEL-ASSY	1
26011	26011-7025	WIRE-LEAD,L=95	1
26031	26031-7040	HARNESS	1
59031	59031-7017	COIL-CHARGING	1
92009	92009-2303	SCREW	2
92066	92066-7026	PLUG	1
92070	92070-7004	PLUG-SPARK,BPR4ES(NGK),SOLID	2
92072	92072-7003	BAND	3
92151	92151-2097	BOLT,12X30	*
92154	92154-7003	BOLT,12X30	1
92172	92172-7018	SCREW,5X20	4
92200	92200-7002	WASHER	1
130	130AA0620	BOLT-FLANGED,6X20	4
510	510A5100	KEY-WOODRUFF	1