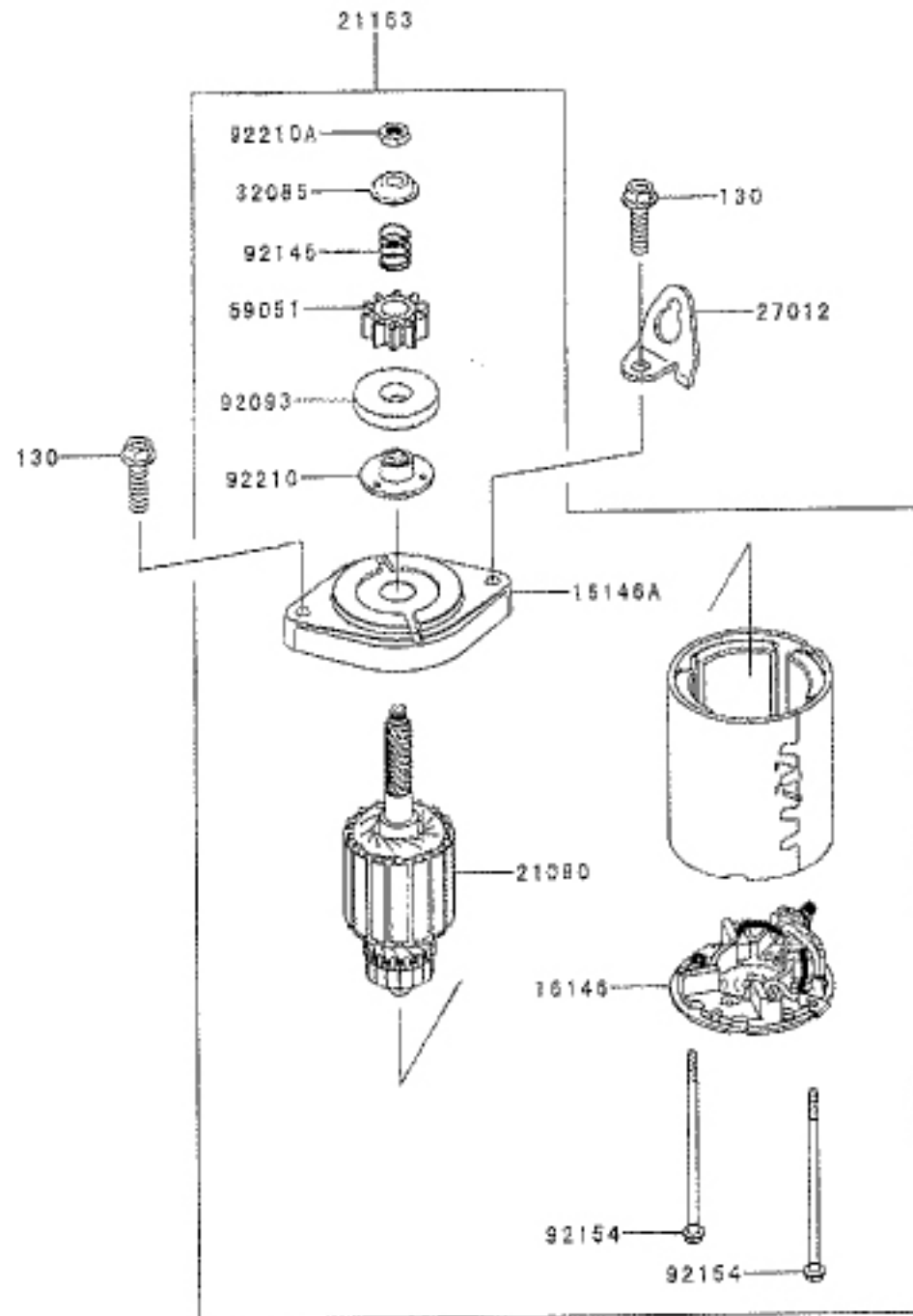


This catalog covers:
FS481V-□ S10

GRID NO. This grid covers:
C-03 STARTER

E0210-A499A



Ref. No.	Part No.	Description	Quantity
16146	16146-7027	COVER-ASSY	1
16146A	16146-7030	COVER-ASSY	1
21080	21080-7006	ARMATURE	1
21163	21163-7034	STARTER-ELECTRIC HOOK	1
27012	27012-7008	HOOK	1
32085	32085-7005	STOPPER	1
59051	59051-7034	GEAR-SPUR	1
92093	92093-7007	SEAL	1
92145	92145-7060	SPRING	1
92154	92154-7001	BOLT	2
92210	92210-7017	NUT	1
92210A	92210-7036	NUT	1
130	130AA0830	BOLT-FLANGED,8X30	2