

This catalog covers:
FH541V-□S06

GRID NO. This grid covers:
A-01 TITLE

PARTS CATALOG

4-STROKE ENGINE

FH541V

PRODUCT CODE	NOTE
FH541V-AS06	FLOOR BURNISHER

This catalog covers:

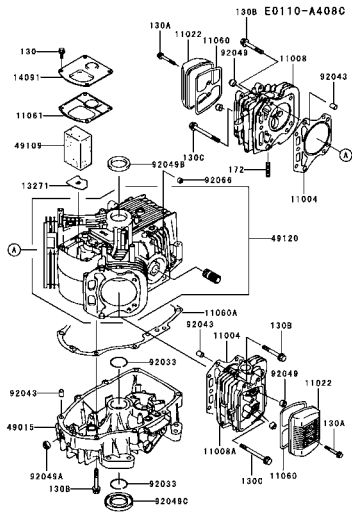
FH541V- □ S06

GRID NO.

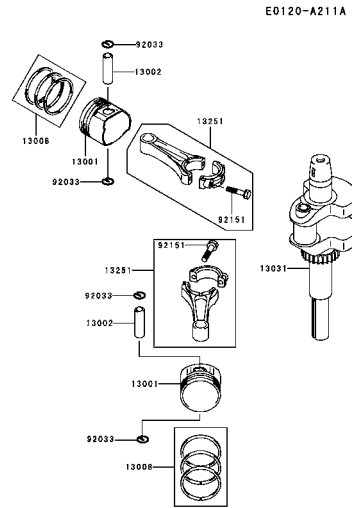
B-01

This grid covers:

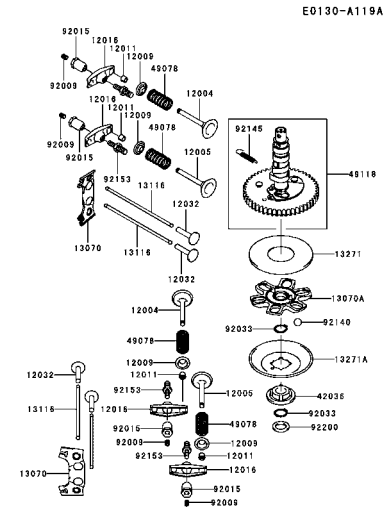
PICTORIAL INDEX



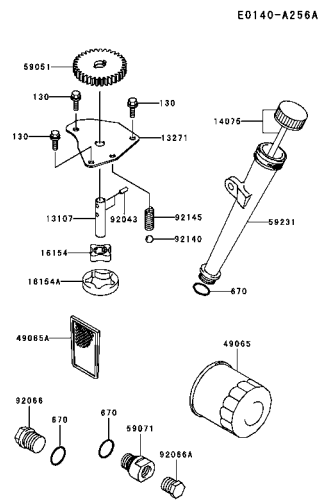
B-03 CYLINDER/CRANKCASE



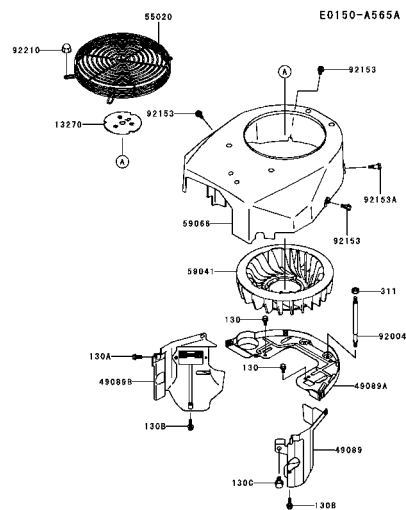
B-04 PISTON/CRANKSHAFT



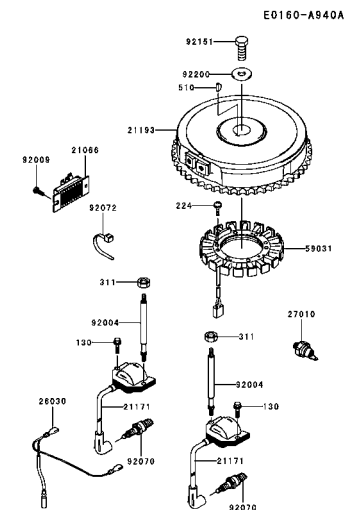
B-05 VALVE/CAMSHAFT



B-06 LUBRICATION-EQUIPMENT



B-07 COOLING-EQUIPMENT



B-08 ELECTRIC-EQUIPMENT

This catalog covers:

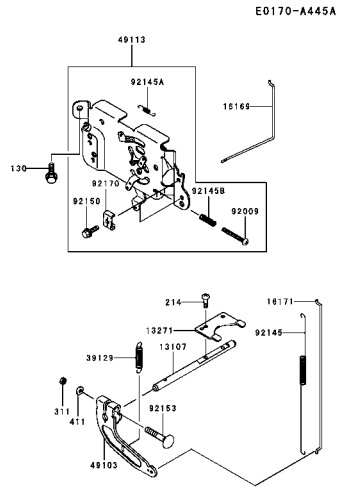
FH541V- □ S06

GRID NO.

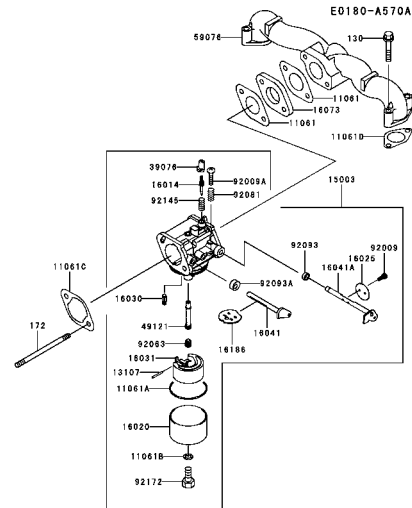
B-02

This grid covers:

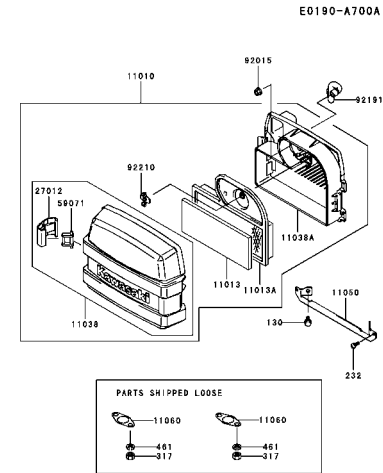
PICTORIAL INDEX



B-09 CONTROL-EQUIPMENT



B-10 CARBURETOR



B-11 AIR-FILTER/MUFFLER

This catalog covers:

FH541V- □ S06

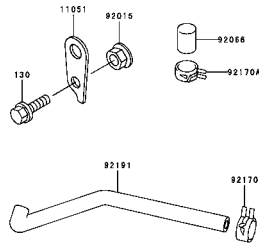
GRID NO.

C-01

This grid covers:

PICTORIAL INDEX

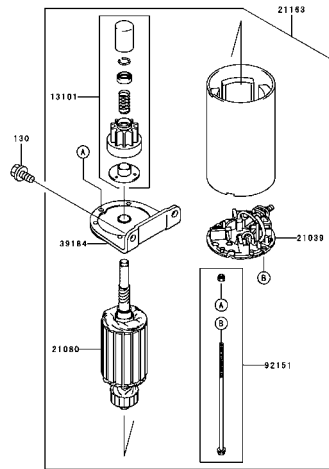
E0200-A274A



C-03

FUEL-TANK/FUEL-VALVE

E0210-A205A



C-04

STARTER

This catalog covers:

FH541V- □ S06

GRID NO.

D-01

This grid covers:

PICTORIAL INDEX

F0290-B053A

56032



56070



56080



D-03

LABEL

This catalog covers:

FH541V- □ S06

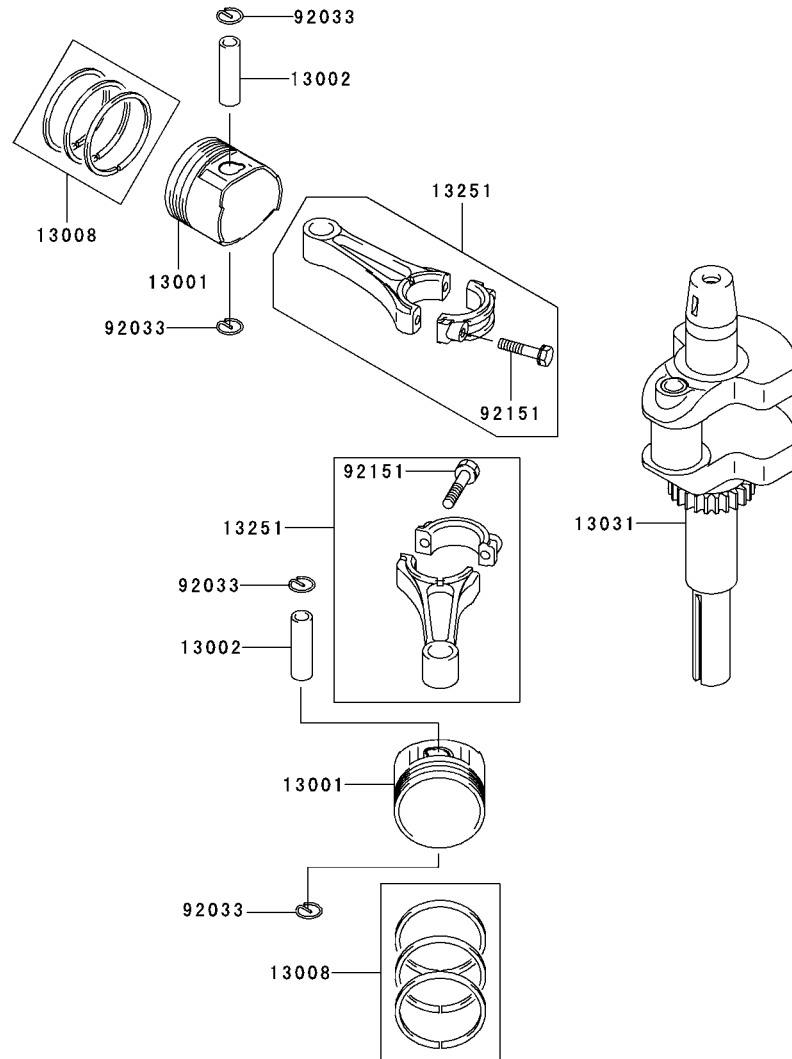
GRID NO.

B-04

This grid covers:

PISTON/CRANKSHAFT

E0120-A211A



Ref. No.	Part No.	Description	Quantity
13001	13001-7010	PISTON-ENGINE	2
13002	13002-7001	PIN-PISTON	2
13008	13008-6060	RING-SET-PISTON	2
13031	13031-7036	CRANKSHAFT-COMP	1
13251	13251-7010	ROD-ASSY-CONNECTING	2
92033	92033-7005	RING-SNAP	4
92151	92151-7017	BOLT,6X35	4

This catalog covers:

FH541V- □ S06

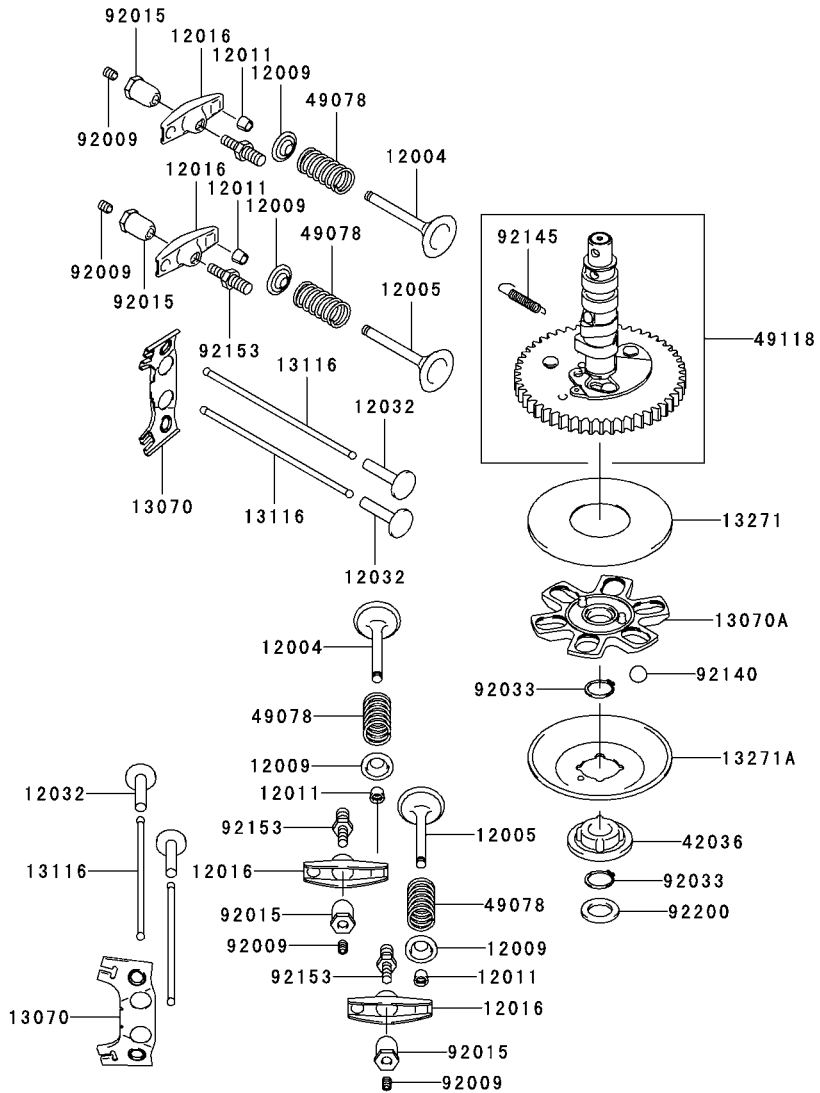
GRID NO.

B-05

This grid covers:

VALVE/CAMSHAFT

E0130-A119A



Ref. No.	Part No.	Description	Quantity
12004	12004-7003	VALVE-INTAKE	2
12005	12005-7003	VALVE-EXHAUST	2
12009	12009-7001	RETAINER-VALVE SPRING	4
12011	12011-2056	COLLET	8
12016	12016-7001	ARM-ROCKER	4
12032	12032-7001	TAPPET	4
13070	13070-7001	GUIDE	2
13070A	13070-7004	GUIDE	1
13116	13116-2057	ROD-PUSH	4
13271	13271-7007	PLATE	1
13271A	13271-7021	PLATE,GOVERNOR	1
42036	42036-7009	SLEEVE	1
49078	49078-7001	SPRING-ENGINE VALVE	4
49118	49118-7004	CAMSHAFT-COMP	1
92009	92009-2341	SCREW	4
92015	92015-2253	NUT	4
92033	92033-7001	RING-SNAP	2
92140	92140-7002	BALL	6
92145	92145-7001	SPRING	1
92153	92153-7019	BOLT	4
92200	92200-7001	WASHER	1

This catalog covers:

FH541V- □ S06

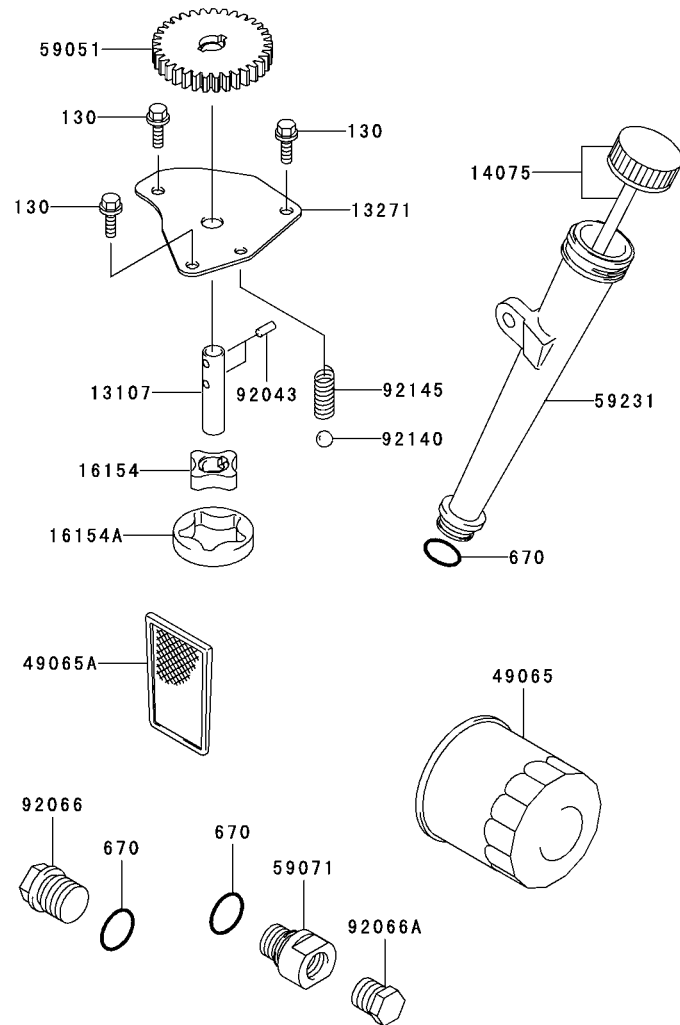
GRID NO.

B-06

This grid covers:

LUBRICATION-EQUIPMENT

E0140-A256A



Ref. No.	Part No.	Description	Quantity
			A
13107	13107-7009	SHAFT	1
13271	13271-7017	PLATE	1
14075	14075-7009	CAP-ASSY	1
16154	16154-2053	ROTOR-PUMP,IN	1
16154A	16154-2054	ROTOR-PUMP,OUT	1
49065	49065-2078	FILTER-OIL	1
49065A	49065-7004	FILTER-OIL	1
59051	59051-7011	GEAR-SPUR	1
59071	59071-7004	JOINT	1
59231	59231-7005	FILLER	1
92043	92043-7003	PIN	2
92066	92066-7003	PLUG	1
92066A	92066-7006	PLUG	1
92140	92140-7003	BALL	1
92145	92145-7002	SPRING	1
130	130B0612	BOLT-FLANGED	3
670	670D2016	O RING,16MM	3

This catalog covers:

FH541V- □ S06

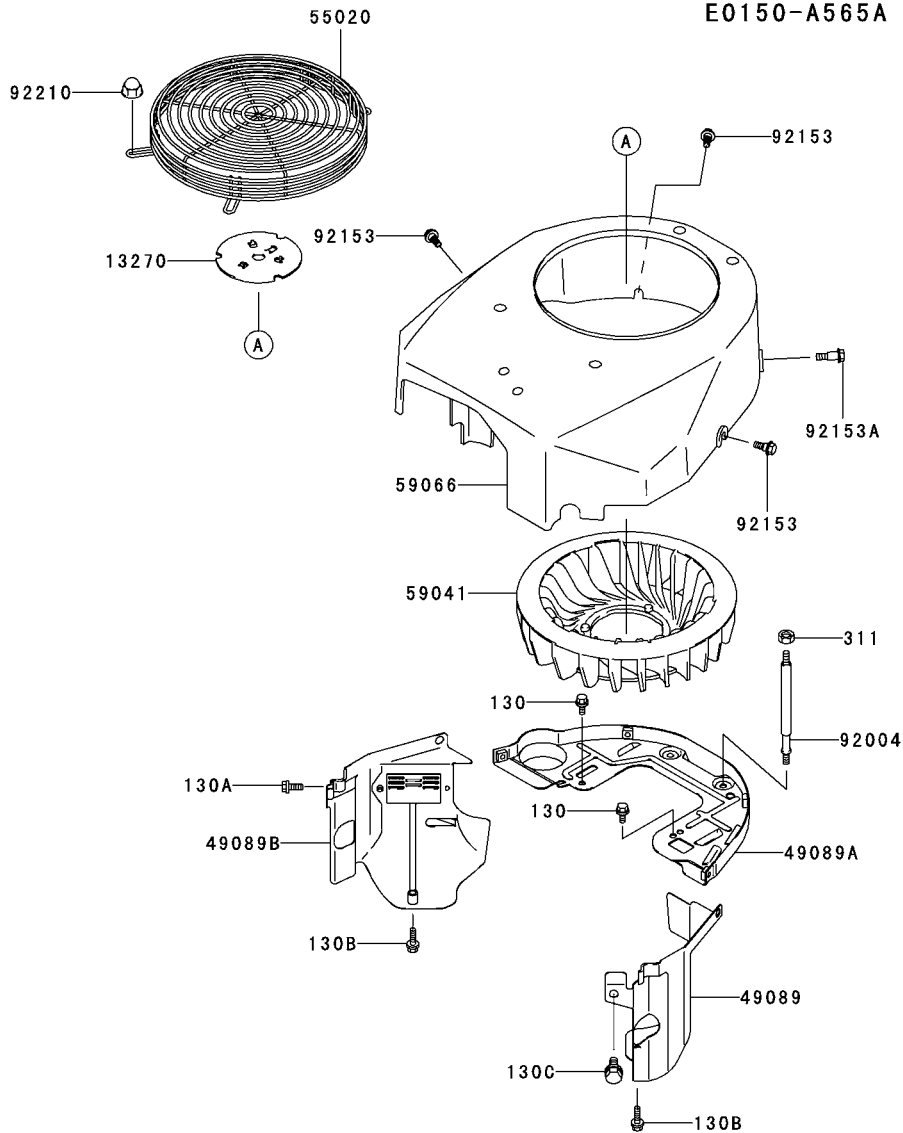
GRID NO.

B-07

This grid covers:

COOLING-EQUIPMENT

E0150-A565A



Ref. No.	Part No.	Description	Quantity
13270	13270-7007	PLATE	1
49089	49089-7002	SHROUD-ENGINE	1
49089A	49089-7032	SHROUD-ENGINE	1
49089B	49089-7034	SHROUD-ENGINE	1
55020	55020-7004	GUARD	1
59041	59041-7010	FAN	1
59066	59066-7002	HOUSING-FAN	1
92004	92004-7006	STUD	2
92153	92153-7007	BOLT	3
92153A	92153-7008	BOLT	1
92210	92210-0003	NUT	4
130	130B0612	BOLT-FLANGED	2
130A	130B0616	BOLT-FLANGED	1
130B	130B0625	BOLT-FLANGED	2
130C	130B0816	BOLT-FLANGED	1
311	311B0600	NUT-HEX	2

This catalog covers:

FH541V- □ S06

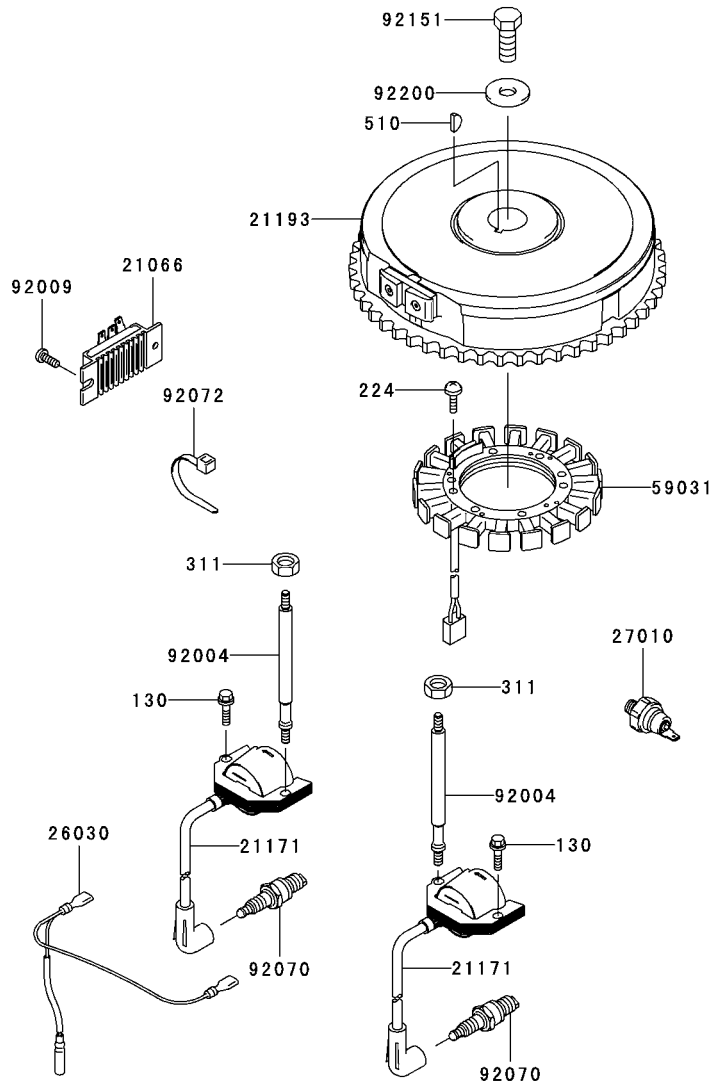
GRID NO.

B-08

This grid covers:

ELECTRIC-EQUIPMENT

E0160-A940A



Ref. No.	Part No.	Description	Quantity
21066	21066-7011	REGULATOR-VOLTAGE	1
21171	21171-7013	COIL-ASSY-IGNITION	2
21193	21193-7007	FLYWHEEL-ASSY	1
26030	26030-7001	HARNESS	1
27010	27010-7002	SWITCH	1
59031	59031-7001	COIL-CHARGING	1
92004	92004-7009	STUD	2
92009	92009-2308	SCREW	1
92070	92070-7003	PLUG-SPARK,RCJ8Y,SOLID	2
92072	92072-7003	BAND	2
92151	92151-2097	BOLT,12X30	1
92200	92200-7002	WASHER	1
130	130B0620	BOLT-FLANGED	2
224	224B0520	SCREW-PAN-WP-CROS	4
311	311B0600	NUT-HEX	2
510	510A5100	KEY-WOODRUFF	1

This catalog covers:

FH541V- □ S06

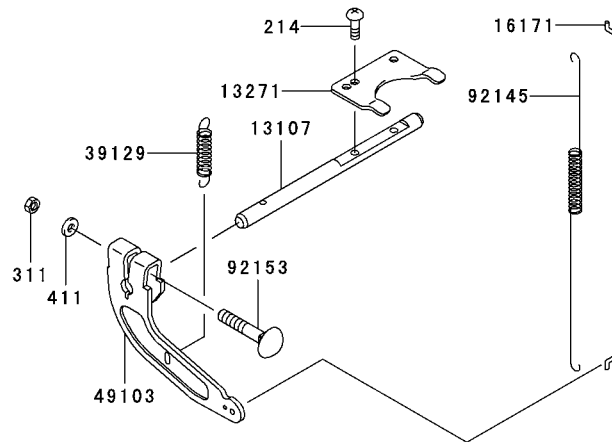
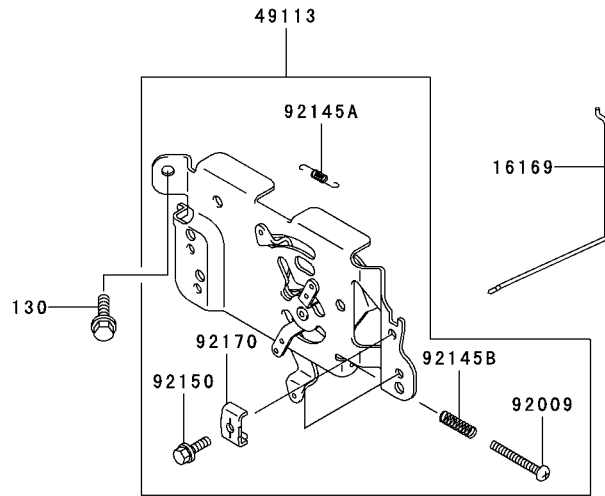
GRID NO.

B-09

This grid covers:

CONTROL-EQUIPMENT

E0170-A445A



Ref. No.	Part No.	Description	Quantity
13107	13107-7010	SHAFT	1
13271	13271-7018	PLATE	1
16169	16169-7010	LINK-CHOKE	1
16171	16171-7001	LINK	1
39129	39129-7003	SPRING-GOVERNOR	1
49103	49103-7004	ARM-GOVERNOR	1
49113	49113-7011	PANEL-COMP-CONTROL	1
92009	92009-7007	SCREW,4X35	1
92145	92145-7003	SPRING	1
92145A	92145-7004	SPRING	1
92145B	92145-7005	SPRING	1
92150	92150-2182	BOLT,5X18	2
92153	92153-7005	BOLT,6X35	1
92170	92170-7001	CLAMP	2
130	130B0612	BOLT-FLANGED	2
214	214B0408	SCREW-PAN+	2
311	311B0600	NUT-HEX	1
411	411B0600	WASHER-PLAIN	1

This catalog covers:

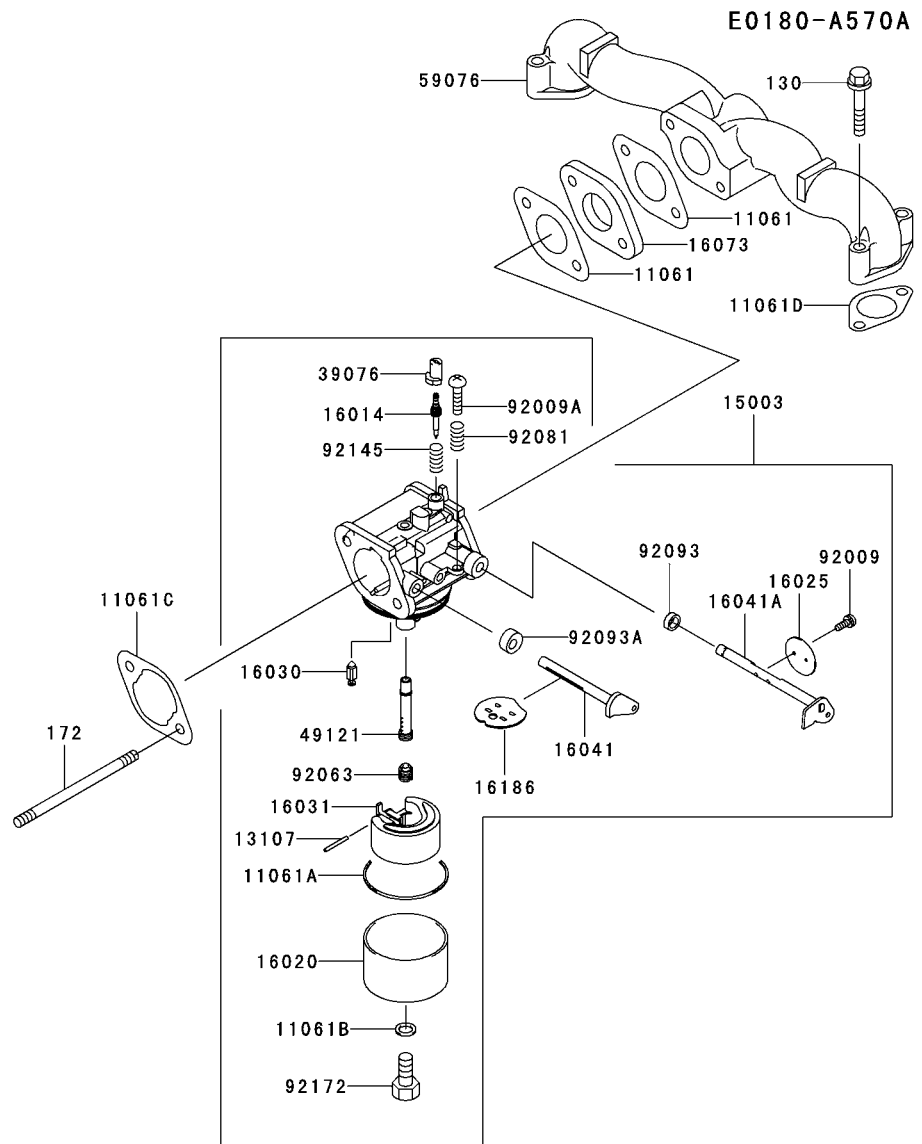
FH541V- □ S06

GRID NO.

B-10

This grid covers:

CARBURETOR



Ref. No.	Part No.	Description	Quantity
			A
11061	11061-7004	GASKET,INSULATOR	2
11061A	11061-7009	GASKET,CHAMBER	1
11061B	11061-7010	GASKET	1
11061C	11061-7018	GASKET,AIR CLEANER	1
11061D	11061-7019	GASKET	2
13107	13107-7018	SHAFT	1
15003	15003-7085	CARBURETOR-ASSY	1
16014	16014-7007	SCREW-PILOT AIR	1
16020	16020-7003	CHAMBER-FLOAT	1
16025	16025-7006	VALVE-THROTTLE	1
16030	16030-7003	VALVE-FLOAT	1
16031	16031-7002	FLOAT	1
16041	16041-7016	SHAFT-CARBURETOR,CHOKE	1
16041A	16041-7018	SHAFT-CARBURETOR,THROTTLE	1
16073	16073-7007	INSULATOR	1
16186	16186-7004	VALVE-ASSY-CHOKE	1
39076	39076-7001	LIMITER	1
49121	49121-7007	NOZZLE-MAIN	1
59076	59076-7001	MANIFOLD-INTAKE	1
92009	92009-2083	SCREW	2
92009A	92009-2349	SCREW	1
92063	92063-7046	JET-MAIN,#100	1
92081	92081-2234	SPRING	1
92093	92093-2100	SEAL	1
92093A	92093-7003	SEAL	1
92145	92145-7015	SPRING	1
92172	92172-7002	SCREW	1
130	130B0635	BOLT-FLANGED	4
172	172G0685	BOLT-STUD	2

This catalog covers:

FH541V- □ S06

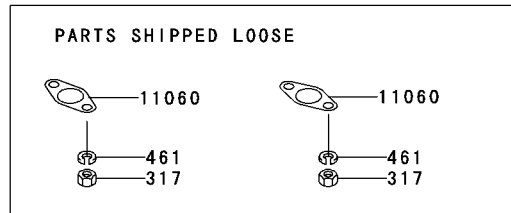
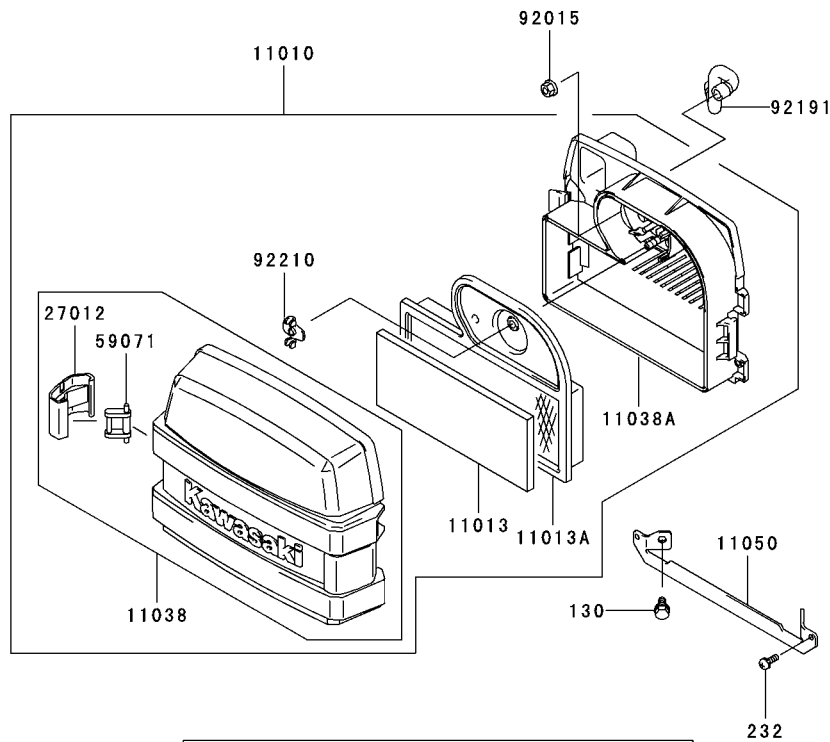
GRID NO.

B-11

This grid covers:

AIR-FILTER/MUFFLER

E0190-A700A



Ref. No.	Part No.	Description	Quantity
11010	11010-7008	FILTER-ASSY-AIR	1
11013	11013-7001	ELEMENT-AIR FILTER	1
11013A	11013-7006	ELEMENT-AIR FILTER	1
11038	11038-7001	CASE-ASSY-AIR FILTER	1
11038A	11038-7006	CASE-ASSY-AIR FILTER	1
11050	11050-7006	BRACKET	1
11060	11060-7021	GASKET,MUFFLER	2
27012	27012-7001	HOOK,AIR FILTER	2
59071	59071-7001	JOINT	2
92015	92015-1193	NUT	2
92191	92191-7001	TUBE	1
92210	92210-7004	NUT	1
130	130B0612	BOLT-FLANGED	2
232	232B0514	SCREW-PAN-WS+	2
317	317R0800	NUT-HEX-SMALL	4
461	461F0800	WASHER-SPRING	4

This catalog covers:

FH541V- □ S06

GRID NO.

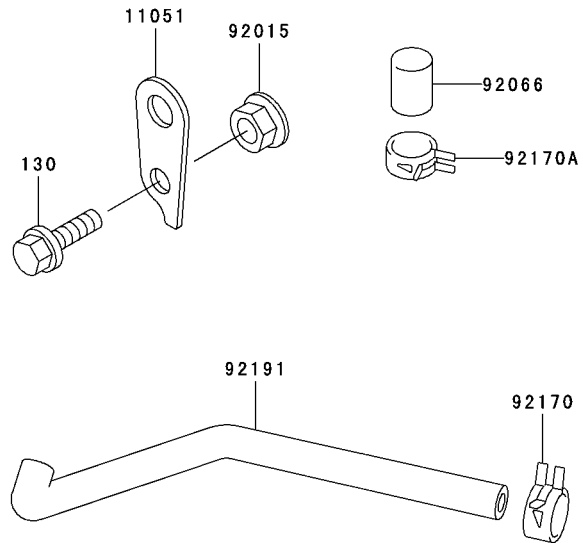
C-03

This grid covers:

FUEL-TANK/FUEL-VALVE

E0200-A274A

Ref. No.	Part No.	Description	Quantity
11051	11051-7001	BRACKET	1
92015	92015-1143	NUT	1
92066	92066-2096	PLUG	1
92170	92170-2088	CLAMP	1
92170A	92170-7003	CLAMP	1
92191	92191-7004	TUBE	1
130	130B0620	BOLT-FLANGED	1



This catalog covers:

FH541V- □ S06

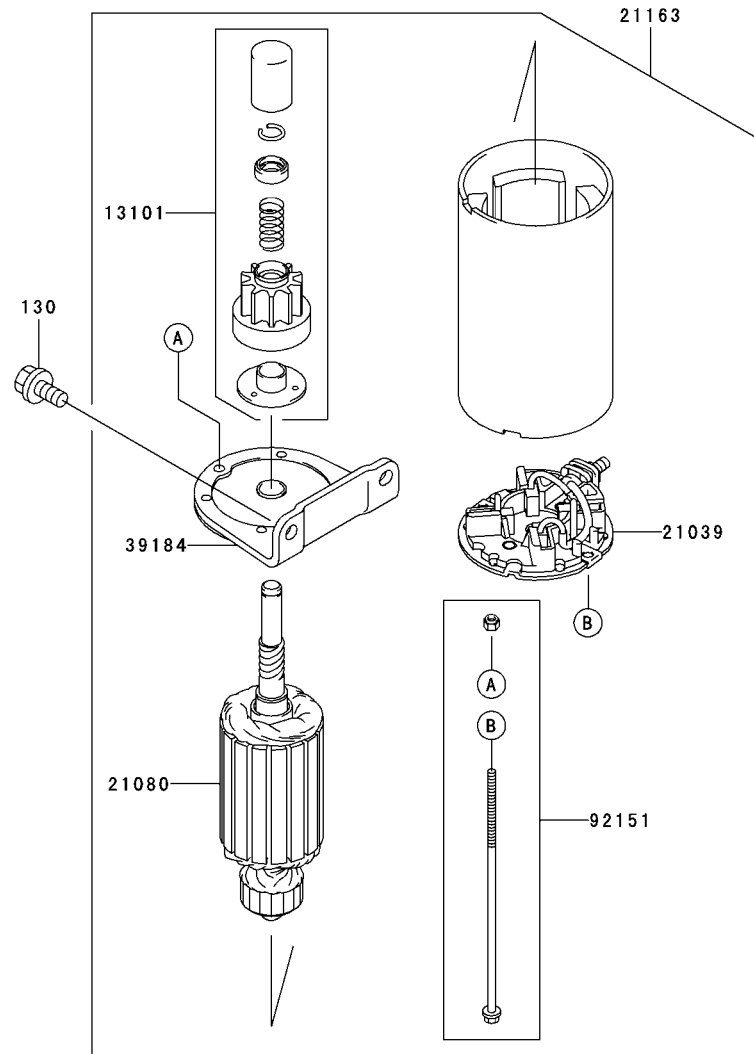
GRID NO.

C-04

This grid covers:

STARTER

E0210-A205A



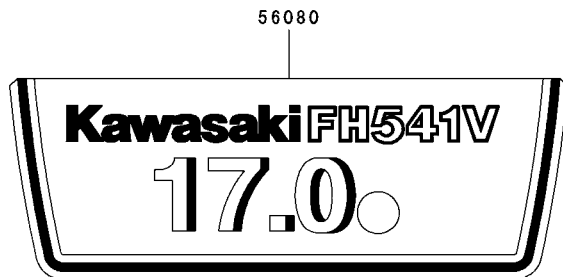
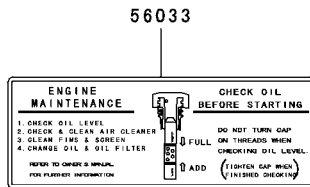
Ref. No.	Part No.	Description	Quantity
			A
13101	13101-7003	GEAR-ASSY	1
21039	21039-7004	BRUSH	1
21080	21080-7001	ARMATURE	1
21163	21163-7010	STARTER-ELECTRIC	1
39184	39184-7004	BRACKET-ASSY	1
92151	92151-7013	BOLT	1
130	130B0816	BOLT-FLANGED	2

This catalog covers:
FH541V- □ S06

GRID NO. This grid covers:
D-03 LABEL

F0290-B053A

Ref. No.	Part No.	Description	Quantity
56033	56033-7002	LABEL-MANUAL	1
56070	56070-7001	LABEL-WARNING	1
56080	56080-7021	LABEL-BRAND	1



This catalog covers:

FH541V- □ S06

GRID NO.

H-09

This grid covers:

PART NAME INDEX

AIR-FILTER/MUFFLER.....	B-11
CARBURETOR.....	B-10
CONTROL-EQUIPMENT.....	B-09
COOLING-EQUIPMENT.....	B-07
CYLINDER/CRANKCASE.....	B-03
ELECTRIC-EQUIPMENT.....	B-08
FUEL-TANK/FUEL-VALVE.....	C-03
LABEL.....	D-03
LUBRICATION-EQUIPMENT.....	B-06
PISTON/CRANKSHAFT.....	B-04
STARTER.....	C-04
VALVE/CAMSHAFT.....	B-05

This catalog covers:

FH541V- □ S06

GRID NO.

H-10

This grid covers:

NUMERICAL PARTS INDEX

Part No.	Grid No.	Part No.	Grid No.	Part No.	Grid No.	Part No.	Grid No.	Part No.	Grid No.
11004-7010.....	B-03	14091-7006.....	B-03	59066-7002.....	B-07	92210-7004.....	B-11		
11008-6042.....	B-03	15003-7085.....	B-10	59071-7001.....	B-11				
11008-7009.....	B-03	16014-7007.....	B-10	59071-7004.....	B-06				
11010-7008.....	B-11	16020-7003.....	B-10	59076-7001.....	B-10				
11013-7001.....	B-11	16025-7006.....	B-10	59231-7005.....	B-06				
11013-7006.....	B-11	16030-7003.....	B-10	670D2016.....	B-06				
11022-7003.....	B-03	16031-7002.....	B-10	92004-7006.....	B-07				
11038-7001.....	B-11	16041-7016.....	B-10	92004-7009.....	B-08				
11038-7006.....	B-11	16041-7018.....	B-10	92009-2083.....	B-10				
11050-7006.....	B-11	16073-7007.....	B-10	92009-2308.....	B-08				
11051-7001.....	C-03	16154-2053.....	B-06	92009-2341.....	B-05				
11060-7001.....	B-03	16154-2054.....	B-06	92009-2349.....	B-10				
11060-7008.....	B-03	16169-7010.....	B-09	92009-7007.....	B-09				
11060-7021.....	B-11	16171-7001.....	B-09	92015-1143.....	C-03				
11061-7001.....	B-03	16186-7004.....	B-10	92015-1193.....	B-11				
11061-7004.....	B-10	172G0685.....	B-10	92015-2253.....	B-05				
11061-7009.....	B-10	172G0818.....	B-03	92033-7001.....	B-05				
11061-7010.....	B-10	21039-7004.....	C-04	92033-7003.....	B-03				
11061-7018.....	B-10	21066-7011.....	B-08	92033-7005.....	B-04				
11061-7019.....	B-10	21080-7001.....	C-04	92043-7001.....	B-03				
12004-7003.....	B-05	21163-7010.....	C-04	92043-7003.....	B-06				
12005-7003.....	B-05	21171-7013.....	B-08	92049-7001.....	B-03				
12009-7001.....	B-05	21193-7007.....	B-08	92049-7005.....	B-03				
12011-2056.....	B-05	214B0408.....	B-09	92049-7010.....	B-03				
12016-7001.....	B-05	224B0520.....	B-08	92049-7011.....	B-03				
12032-7001.....	B-05	232B0514.....	B-11	92063-7046.....	B-10				
13001-7010.....	B-04	26030-7001.....	B-08	92066-2096.....	C-03				
13002-7001.....	B-04	27010-7002.....	B-08	92066-7002.....	B-03				
13008-6060.....	B-04	27012-7001.....	B-11	92066-7003.....	B-06				
13031-7036.....	B-04	311B0600.....	B-07	92066-7006.....	B-06				
13070-7001.....	B-05	311B0600.....	B-08	92070-7003.....	B-08				
13070-7004.....	B-05	311B0600.....	B-09	92072-7003.....	B-08				
130B0612.....	B-03	317R0800.....	B-11	92081-2234.....	B-10				
130B0612.....	B-06	39076-7001.....	B-10	92093-2100.....	B-10				
130B0612.....	B-07	39129-7003.....	B-09	92093-7003.....	B-10				
130B0612.....	B-09	39184-7004.....	C-04	92140-7002.....	B-05				
130B0612.....	B-11	411B0600.....	B-09	92140-7003.....	B-06				
130B0616.....	B-07	42036-7009.....	B-05	92145-7001.....	B-05				
130B0620.....	B-08	461F0800.....	B-11	92145-7002.....	B-06				
130B0620.....	C-03	49015-6253.....	B-03	92145-7003.....	B-09				
130B0625.....	B-07	49065-2078.....	B-06	92145-7004.....	B-09				
130B0635.....	B-10	49065-7004.....	B-06	92145-7005.....	B-09				
130B0640.....	B-03	49078-7001.....	B-05	92145-7015.....	B-10				
130B0816.....	B-07	49089-7002.....	B-07	92150-2182.....	B-09				
130B0816.....	C-04	49089-7032.....	B-07	92151-2097.....	B-08				
130T0850.....	B-03	49089-7034.....	B-07	92151-7013.....	C-04				
130T0875.....	B-03	49103-7004.....	B-09	92151-7017.....	B-04				
13101-7003.....	C-04	49109-7002.....	B-03	92153-7005.....	B-09				
13107-7009.....	B-06	49113-7011.....	B-09	92153-7007.....	B-07				
13107-7010.....	B-09	49118-7004.....	B-05	92153-7008.....	B-07				
13107-7018.....	B-10	49120-7023.....	B-03	92153-7019.....	B-05				
13116-2057.....	B-05	49121-7007.....	B-10	92170-2088.....	C-03				
13251-7010.....	B-04	510A5100.....	B-08	92170-7001.....	B-09				
13270-7007.....	B-07	55020-7004.....	B-07	92170-7003.....	C-03				
13271-7007.....	B-05	56033-7002.....	D-03	92172-7002.....	B-10				
13271-7016.....	B-03	56070-7001.....	D-03	92191-7001.....	B-11				
13271-7017.....	B-06	56080-7021.....	D-03	92191-7004.....	C-03				
13271-7018.....	B-09	59031-7001.....	B-08	92200-7001.....	B-05				
13271-7021.....	B-05	59041-7010.....	B-07	92200-7002.....	B-08				
14075-7009.....	B-06	59051-7011.....	B-06	92210-0003.....	B-07				