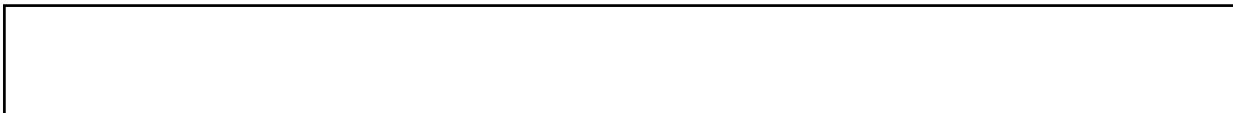




**ENGINE
PARTS MANUAL**

ZXY 653

22 hp.



GROUP INDEX

Group Name	Page
CRANKCASE GROUP - EH63V / EH65V	4
CRANKSHAFT GROUP	8
INTAKE and EXHAUST GROUP	10
MUFFLER GROUP	12
GOVERNOR GROUP	14
COOLING and STARTING GROUP	16
FUEL, LUBRICATION GROUP	18
CARBURETOR GROUP	20
ELECTRIC DEVICE GROUP	22
STARTING MOTOR GROUP	24

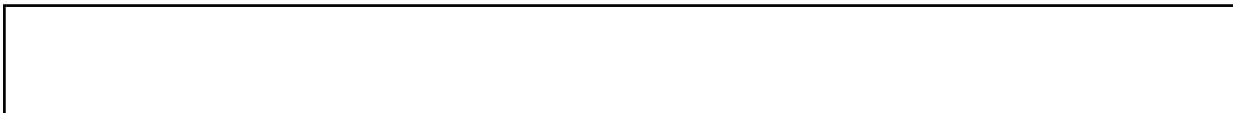


FIG. 1 CRANKCASE GROUP

REF	PART NUMBER	DESCRIPTION	QTY	REMARKS
*1	263-10201-A1	CRANKCASE, compl.	1	includes items 2 thru 11
2	263-15801-03	MAIN BEARING	1	
3	X31-00800-80	DOWEL PIN	2	
4	142-55601-03	PIPE	2	
5	159-65401-03	PIPE (PULSE)	1	
6	235-15421-03	BLIND PLUG	1	
7	044-00800-10	OIL SEAL	1	
8	044-03500-90	OIL SEAL	1	
9	263-17101-A3	LEAF VALVE	2	
10	263-17201-A3	RETAINER PLATE	2	
11	004-35041-00	SCREW and WASHER ASS'Y	4	
*12	263-11021-A1	MAIN BEARING COVER, compl.	1	includes item 13
13	044-04200-30	OIL SEAL	1	
14	263-45101-B1	GOVERNOR GEAR, compl.	1	
15	263-41901-03	GOVERNOR SLEEVE	1	
16	263-46213-A3	THRUST BEARING	1	
17	263-46214-A3	WASHER	2	
18	248-65601-03	SPRING, relief valve	1	
19	006-90308-00	STEEL BALL	1	
20	263-17301-A3	RETAINER PLATE	1	
21	X11-00600-20	FLANGE BOLT	1	
22	263-64311-A1	OIL PUMP FILTER	1	
23	001-13051-00	BOLT and WASHER ASS'Y	2	
24	235-15421-03	BLIND PLUG	1	
25	263-17401-A3	DRAIN PLUG	3	
*26	263-13201-02	CYLINDER HEAD 1 UNIT	1	includes items 27, 28
27	263-14201-03	VALVE GUIDE	4	
28	010-50802-90	STUD	8	
29	132-07AA0-50	SEAL-INTAKE VALVE	2	
30	132-11AA0-50	SEAL-EXHAUST VALVE	2	
*31	263-13301-02	CYLINDER HEAD 2 UNIT	1	includes items 27, 28
32	263-15501-A3	ROCKER COVER	2	
33	263-16101-A3	GASKET, rocker cover	2	
34	263-15021-01	GASKET, cylinder head 1	1	
35	263-15121-01	GASKET, cylinder head 2	1	
36	263-16011-A3	GASKET, main bearing cover	1	
37	263-16006-03	GASKET, breather plate	2	
38	263-14301-03	BREATHER COVER	1	
39	263-14411-A1	BREATHER PLATE, compl.	1	
40	024-00090-00	O RING	2	
41	263-18001-03	RUBBER PIPE	1	
42	263-68511-03	HOSE CLAMP	2	
43	X31-00600-20	DOWEL PIN	4	
44	263-19101-A3	LIFT HOOK1	1	

FIG. 1 CRANKCASE GROUP

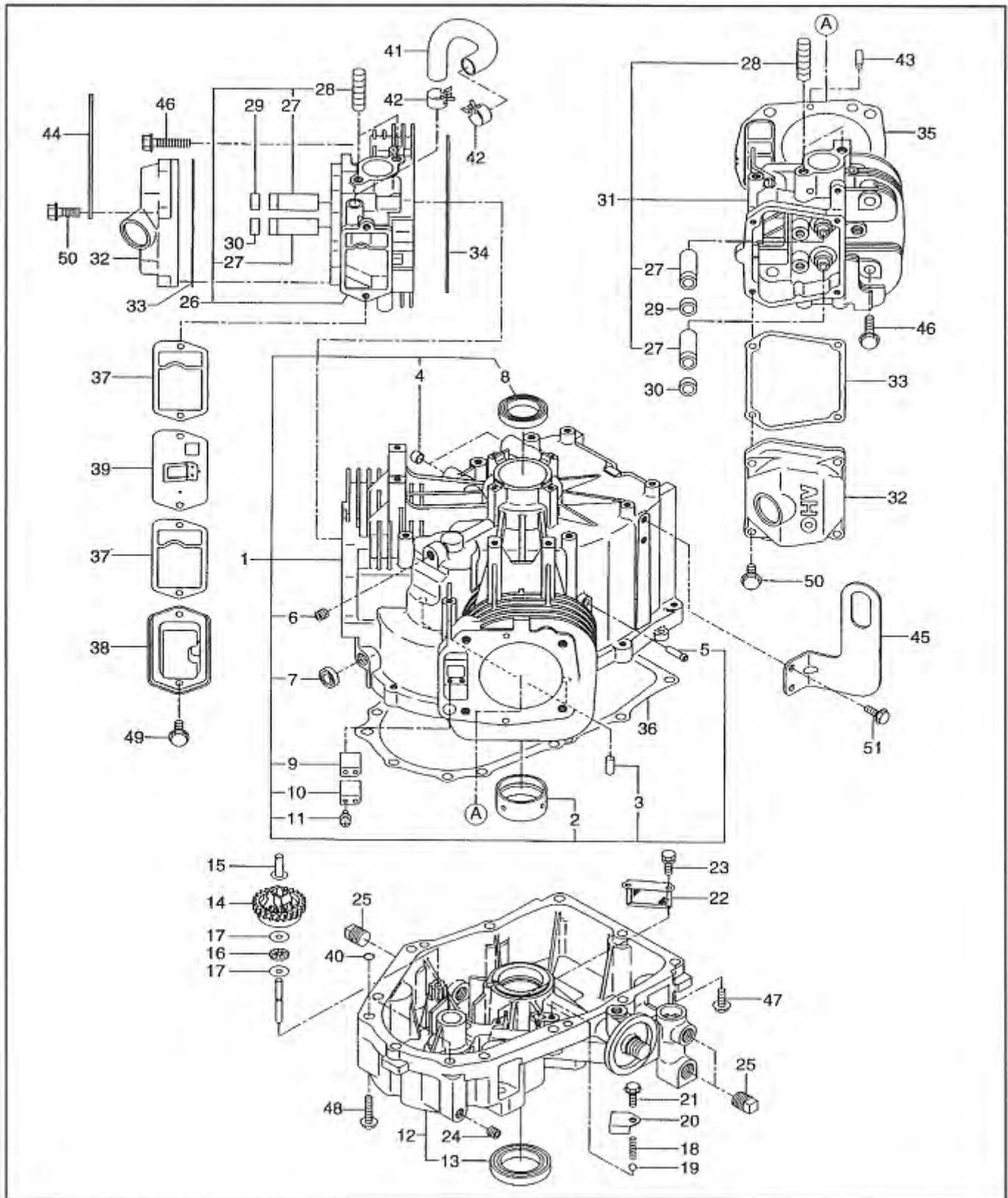


FIG. 3 INTAKE and EXHAUST GROUP

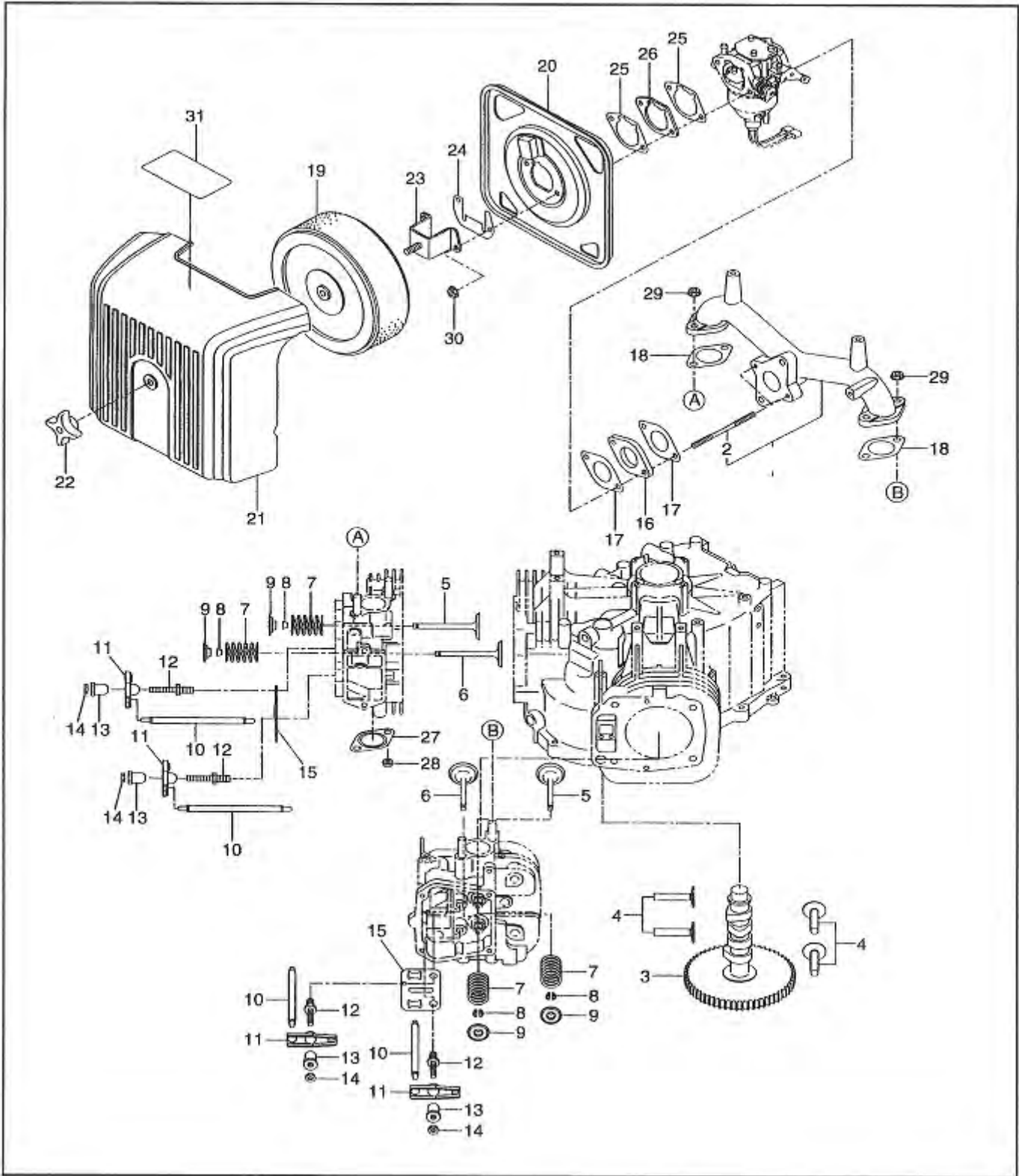


FIG. 4 MUFFLER GROUP (OPTION PARTS) -

BUFFERS ONLINE 706 232-9469

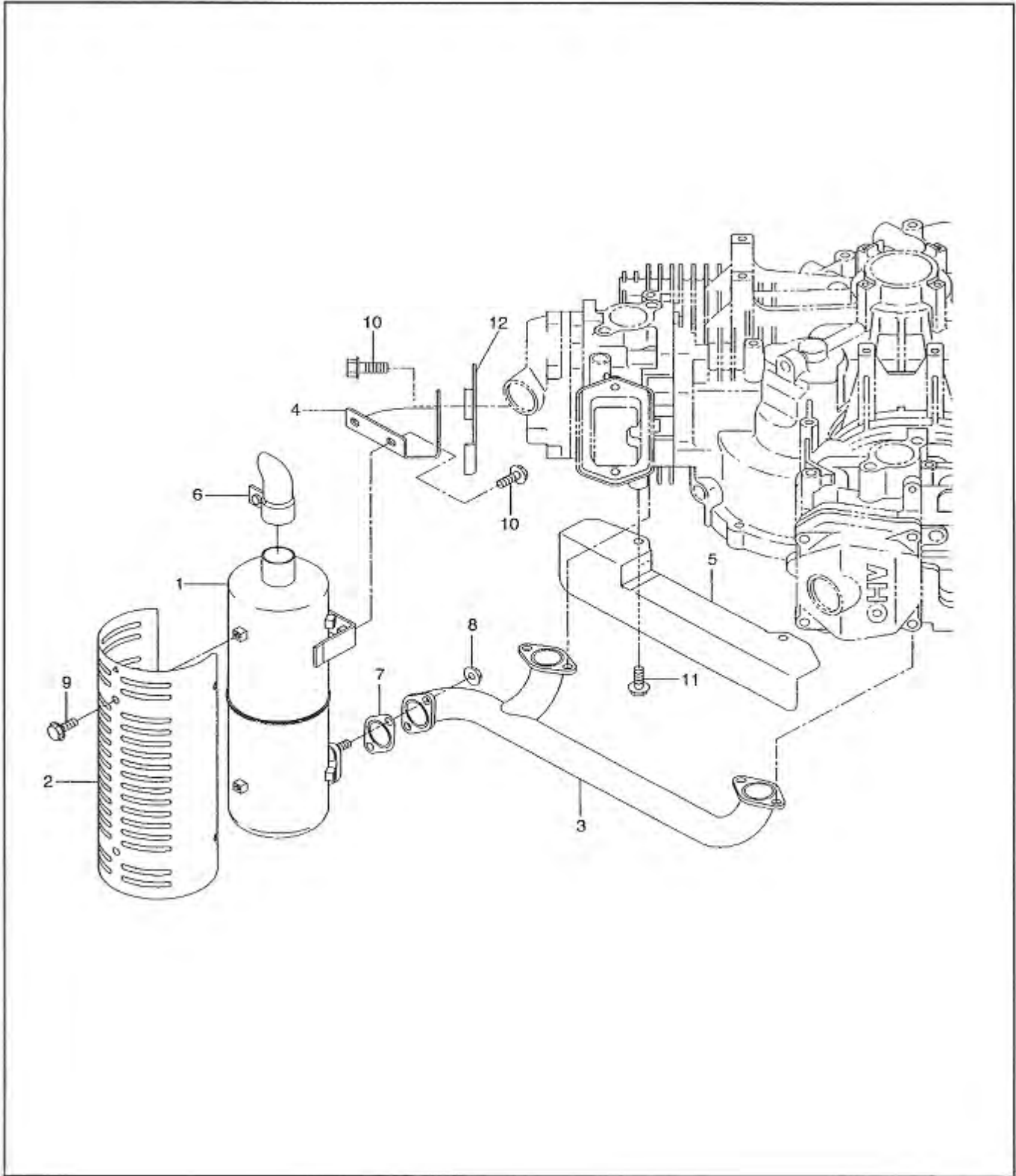


FIG. 5 GOVERNOR GROUP

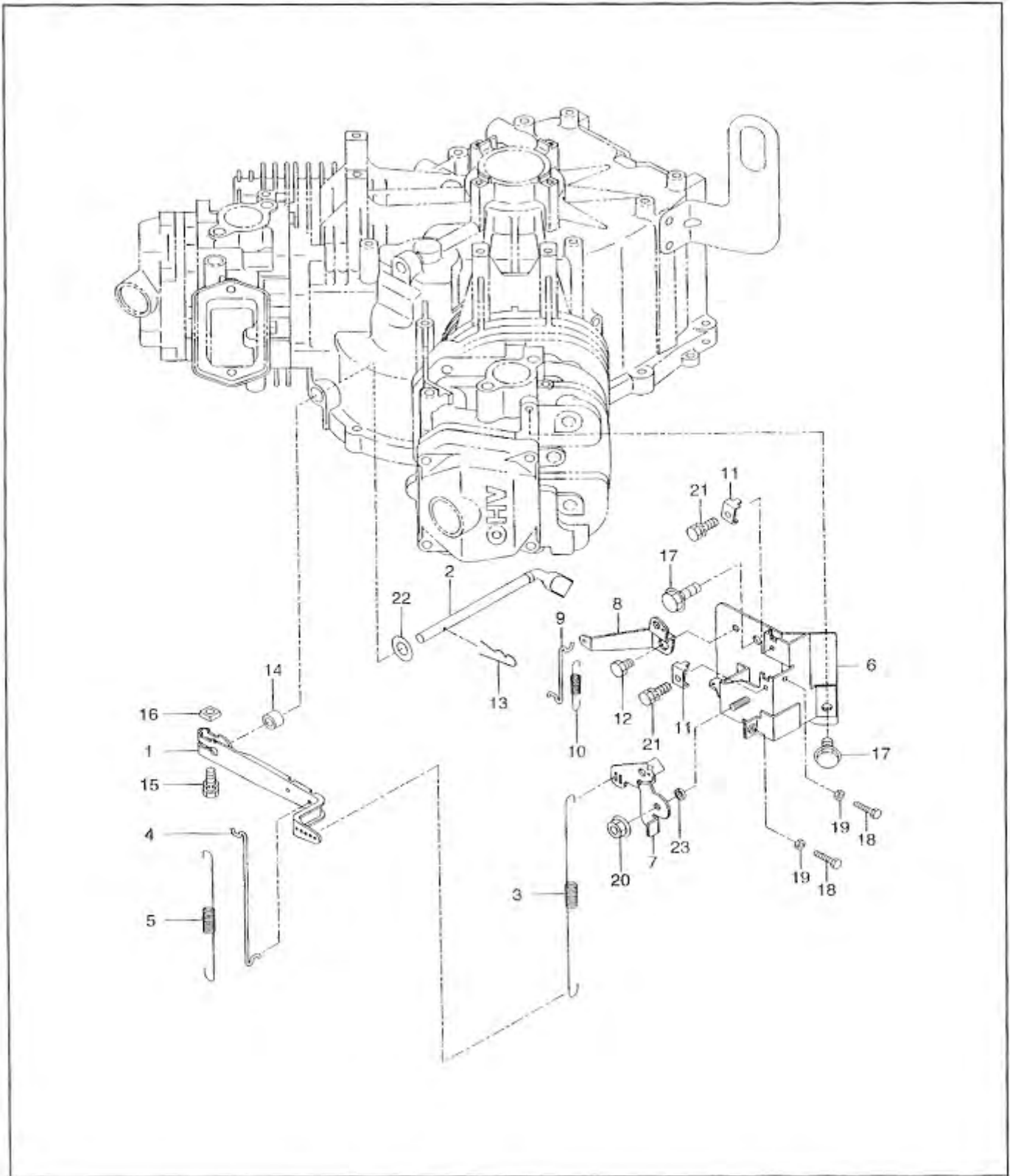


FIG. 6 COOLING and STARTING GROUP

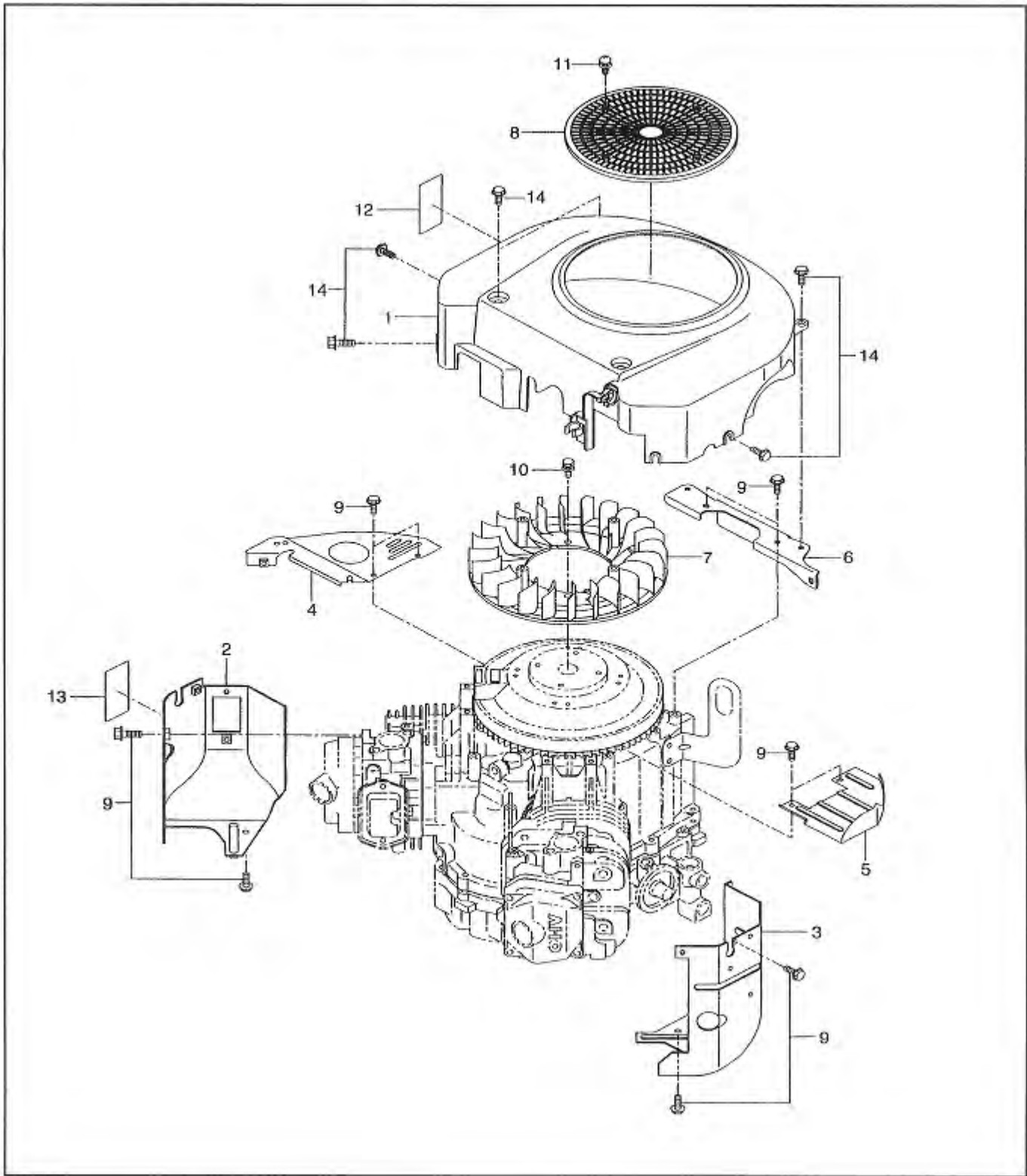


FIG. 7

FUEL, LUBRICANT GROUP

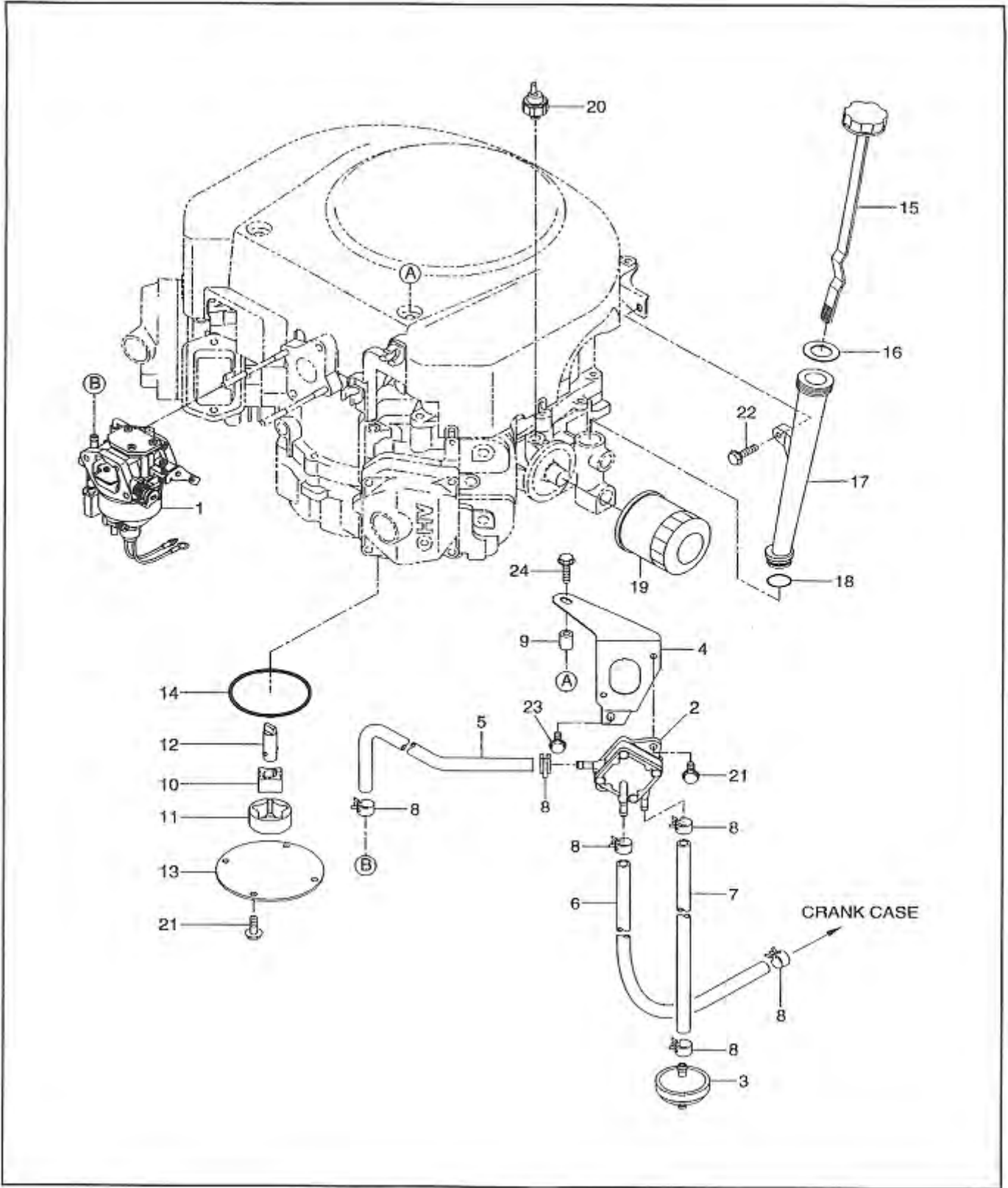


FIG. 8 CARBURETOR GROUP

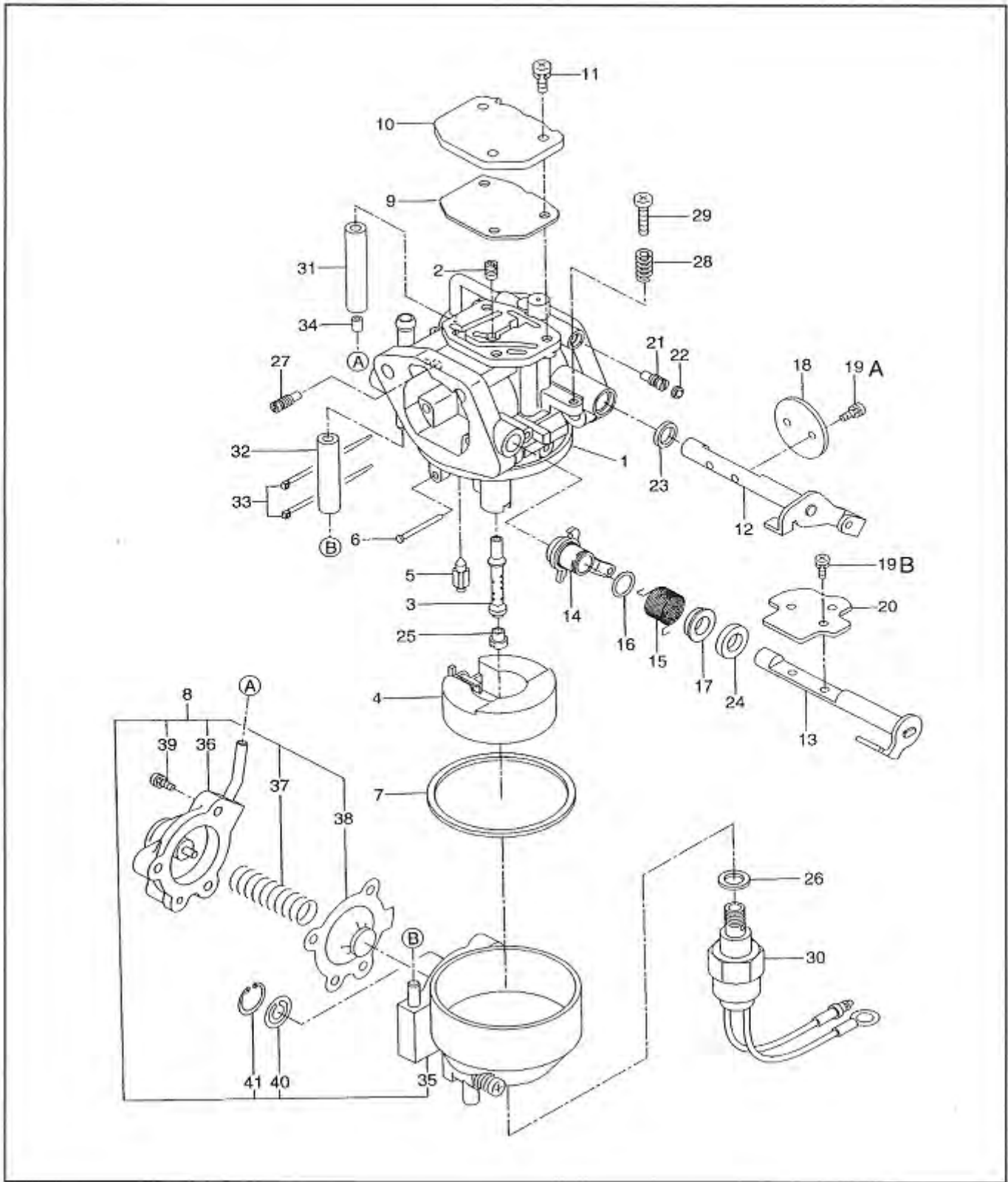
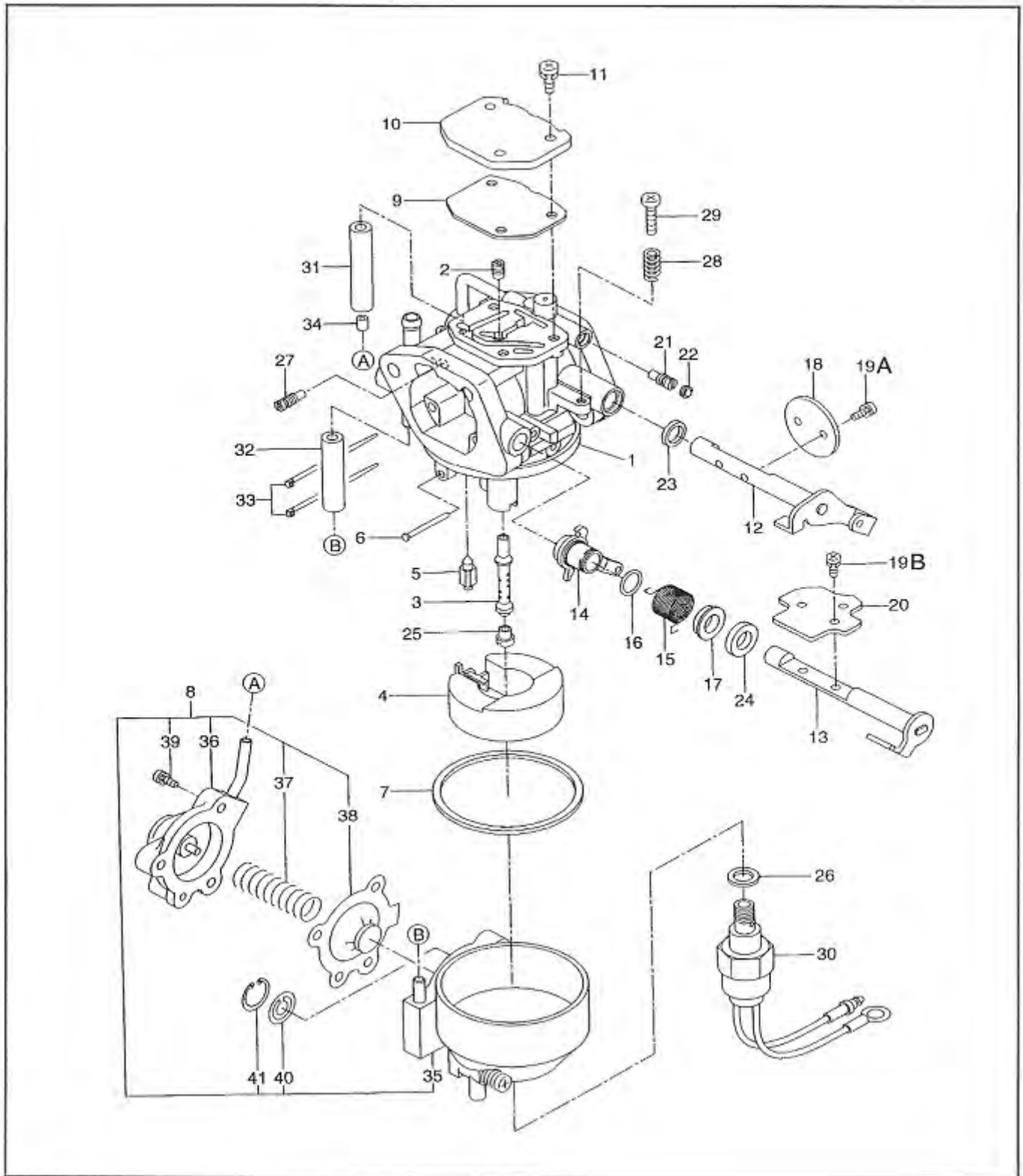


FIG. 8 CARBURETOR GROUP

REF	PART NUMBER	DESCRIPTION	QTY	REMARKS
1	263-62371-10	CARBURETOR ASS'Y	1	includes items 2 thru 41
2	263-62422-08	SLOW JET ASS'Y	1	
3	263-62440-08	MAIN NOZZLE	1	
4	263-62505-08	FLOAT	1	
5	263-62501-08	FLOAT VALVE	1	
6	263-62515-08	FLOAT PIN	1	
7	263-62575-08	FLOAT CHAMBER GASKET	1	
*8	263-62581-08	FLOAT CHAMBER, compl.	1	includes items 35 thru 41
9	263-62545-08	PASSAGE COVER GASKET	1	
10	263-62565-08	PASSAGE COVER	1	
11	263-62585-08	SCREW	3	
12	263-62533-08	THROTTLE SHAFT ASS'Y	1	
13	263-62521-08	CHOKE SHAFT ASS'Y	1	
14	263-62522-08	CHOKE LEVER ASS'Y	1	
15	263-62445-08	CHOKE ARM RETURN SPRING	1	
16	258-62551-08	CHOKE LEVER RING	1	
17	258-62553-08	CHOKE COLLAR	1	
18	263-62536-08	THROTTLE VALVE	1	
19A	258-62559-08	SCREW, THROTTLE VALVE SET	2	
19B	261-62352-08	SCREW, CHOKE VALVE SET	2	
20	263-62525-08	CHOKE VALVE	1	
21	261-62435-08	NEEDLE, compl.	1	
22	261-62358-08	EXPANSION PLUG	1	
23	263-62590-08	AIR FILTER	1	
24	258-62554-08	CHOKE SHAFT FILTER	1	
25	263-62404-08	MAIN JET (#128)	1	
26	215-62430-08	GASKET	1	
27	263-62410-08	SLOW AIR BLEED JET	1	
28	226-62446-08	SPRING, THROTTLE ADJUST SCREW	1	
29	263-62586-08	ROUND MACHINE SCREW	1	
30	263-62558-08	SOLENOID VALVE ASS'Y	1	
31	263-62356-08	VACUUM HOSE	1	
32	263-62357-08	FUEL HOSE	1	
33	107-62381-08	NYLON BAND	2	
34	263-62450-08	JET	1	
35	263-62582-08	FLOAT CHAMBER ASS'Y	1	
36	263-62359-08	COVER, compl.	1	
37	263-62320-08	SPRING	1	
38	263-62358-08	DIAPHRAGM ASS'Y	1	

FIG. 8 CARBURETOR GROUP



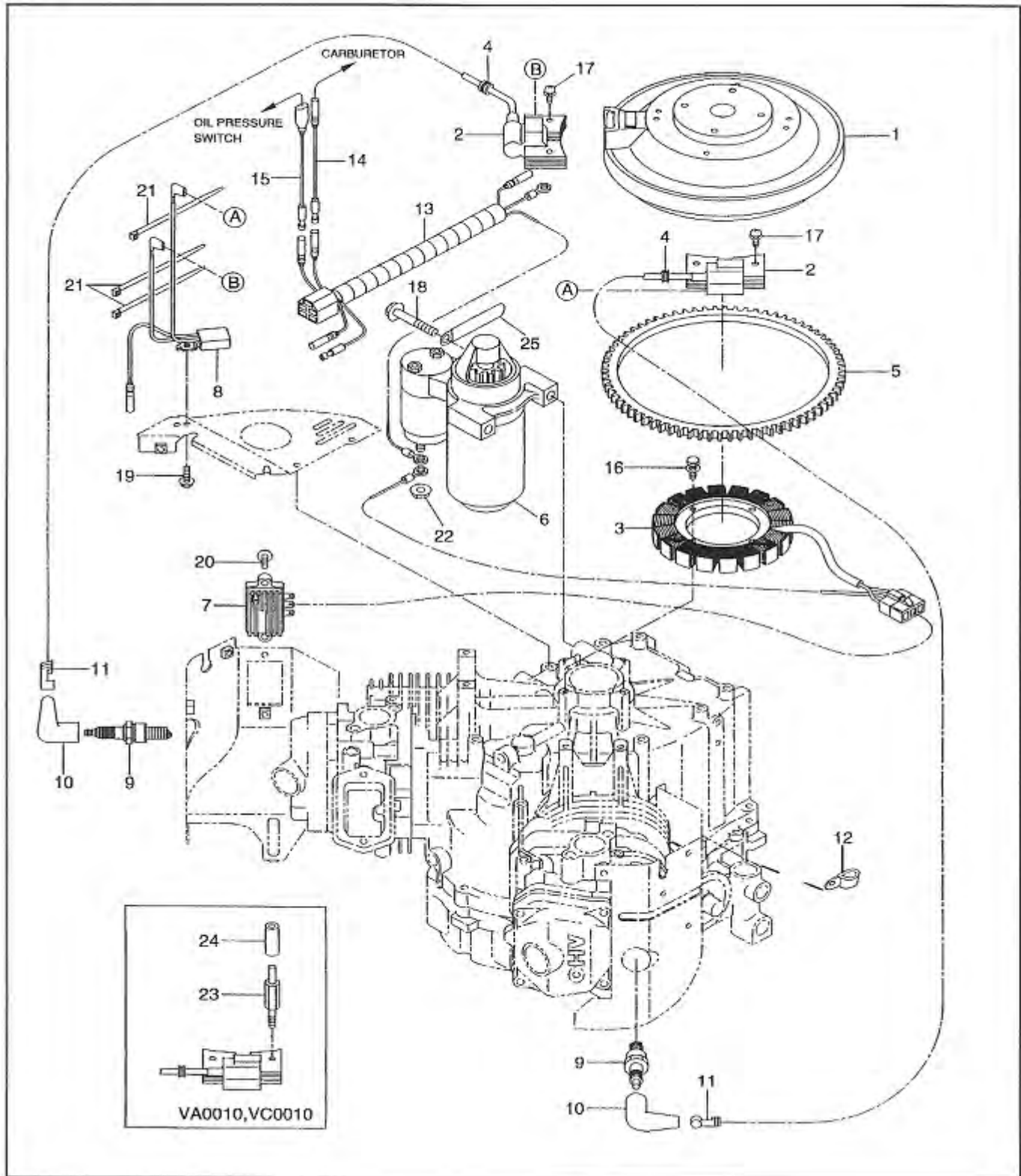


FIG. 10 STARTING MOTOR GROUP

